

# COFFEE TABLES

## CT 10







The coffee table **CT 10** is a modern classic on aluminium-coloured legs. It is available in a white lacquer version, in many fine woods or in solid alder as well as in 3 sizes (70 x 70 cm; 90 x 90 cm; 120 x 70 cm). 6 versions are available to choose from for the table surface (wood, clear, satinised, stained or rear-laquered glass, white and sand).



### List of versions

Model no.	Versions	Price group
985	White lacquer	I
987	Beech	I
942	Structured beech	I
986	Natural maple	I
971	Natural oak	I
988	Oak mocca	I
943	Light brown ash	I
979	Cherrywood gold	I
998	Solid alder	II
<b>NEW</b> 946	Core walnut	III

## Coffee tables CT 10

<p><b>Coffee tables CT 10</b> 45.0 cm high</p> <p>Top surface optionally in white lacquer, of wood (veneer or solid alder), clear glass, satinised glass, stained glass or rear-laquered glass, white or sand</p> <p>Bottom shelf in white lacquer or of wood (veneer)</p> <p>On aluminium-coloured plinth legs</p>	 70 x 70 cm			 90 x 90 cm			 120 x 70 cm			
	Price gr.	with wooden surface	with rear-lacq. glass surface, white	with rear-lacq. glass surface, sand	with wooden surface	with rear-lacq. glass surface, white	with rear-lacq. glass surface, sand	with wooden surface	with rear-lacq. glass surface, white	with rear-lacq. glass surface, sand
		<b>0711</b>	<b>07119</b>	<b>07118</b>	<b>0911</b>	<b>09119</b>	<b>09118</b>	<b>01211</b>	<b>012119</b>	<b>012118</b>
	I	-	-	-	-	-	-	-	-	-
II	-	-	-	-	-	-	-	-	-	
III	-	-	-	-	-	-	-	-	-	
 70 x 70 cm	 90 x 90 cm			 120 x 70 cm						
	Price gr.	with clear glass surface	with sat. glass surface	with stained glass surface	with clear glass surface	with sat. glass surface	with stained glass surface	with clear glass surface	with sat. glass surface	with stained glass surface
		<b>076</b>	<b>077</b>	<b>078</b>	<b>096</b>	<b>097</b>	<b>098</b>	<b>0126</b>	<b>0127</b>	<b>0128</b>
	I	-	-	-	-	-	-	-	-	-
II	-	-	-	-	-	-	-	-	-	
III	-	-	-	-	-	-	-	-	-	

## CT 50

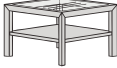


The **CT 50** coffee table is available in 3 sizes (70 x 70 cm; 90 x 90 cm; 120 x 70 cm). It has a solid wooden substructure and the table surface is optionally of clear or satinized glass.



### List of versions

Model no.	Versions
998	Solid alder

### Coffee tables CT 50

<b>45.0 cm high</b> top surface optionally of clear or satinized glass lower surface of solid wood with solid wood substructure	 70 x 70 cm		 90 x 90 cm		 120 x 70 cm	
	sat. glass	clear glass	sat. glass	clear glass	sat. glass	clear glass
	<b>0745</b>	<b>0755</b>	<b>0945</b>	<b>0955</b>	<b>0145</b>	<b>0155</b>
	-	-	-	-	-	-

# COFFEE TABLES

## CT 90

The **CT 90** coffee table is available in many different versions and in sizes of 80 x 80 cm and 110 x 110 cm. The top glass surface is black, white, cream, brown-black or sand rear-lacquered, the lower surface in black, white, cream, brown-black or sand lacquer. The CT 90 is also fitted with an optional veneered revolving drawer in a number of different versions.

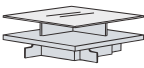
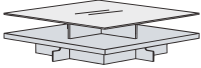




### List of versions lower surface

Model no.	Versions
<b>901</b>	Black lacquer
<b>902</b>	White lacquer
<b>903</b>	Cream lacquer
<b>904</b>	Brown-black lacquer
<b>905</b>	Sand lacquer

**Please note:** Please state the model no. for the required version of the lower surface in your order. If no details are stated in the order, the lower surface is delivered in the same colour as the top glass surface!

## Coffee tables CT 90

<p><b>Coffee tables CT 90</b> 32.0 cm high</p> <p>Optional with one revolving drawer (veneer; optionally in structured beech, oak anthracite, natural oak or walnut)</p> <p>Top surface of glass, black, white, cream, brown-black or sand rear lacquer</p> <p>Lower surface in matt lacquer (optionally in black, white, cream, brown-black or sand lacquer; see list of versions)</p> <p>On plinth frame, high-gloss chrome</p> <p>Max. load of revolving drawer: 7 kg</p> <p><b>Please note:</b> We do not recommend a combination of an oak anthracite coloured revolving drawer with a cream or brown-black glass surface for aesthetic reasons.</p>	without revolving drawer									
	 80x80 cm wide					 110x110 cm wide				
	top glass surface: black rear lacquer	top glass surface: brown-black rear lacquer	top glass surface: cream rear lacquer	top glass surface: white rear lacquer	top glass surface: sand rear lacquer	top glass surface: black rear lacquer	top glass surface: brown-black rear lacquer	top glass surface: cream rear lacquer	top glass surface: white rear lacquer	top glass surface: sand rear lacquer
<b>without revolving drawer</b>	<b>0819</b>	<b>0849</b>	<b>0839</b>	<b>0829</b>	<b>0859</b>	<b>0119</b>	<b>0149</b>	<b>0139</b>	<b>0129</b>	<b>0159</b>
	-	-	-	-	-	-	-	-	-	-
with 1 revolving drawer										
 80x80 cm wide					 110x110 cm wide					
<b>with 1 revolving drawer in:</b>	top glass surface: black rear lacquer	top glass surface: brown-black rear lacquer	top glass surface: cream rear lacquer	top glass surface: white rear lacquer	top glass surface: sand rear lacquer	top glass surface: black rear lacquer	top glass surface: brown-black rear lacquer	top glass surface: cream rear lacquer	top glass surface: white rear lacquer	top glass surface: sand rear lacquer
<b>Structured beech</b>	<b>08192</b>	<b>08492</b>	<b>08392</b>	<b>08292</b>	<b>08592</b>	<b>01192</b>	<b>01492</b>	<b>01392</b>	<b>01292</b>	<b>01592</b>
	-	-	-	-	-	-	-	-	-	-
<b>Oak anthracite</b>	<b>08193</b>	<b>08493</b>	<b>08393</b>	<b>08293</b>	<b>08593</b>	<b>01193</b>	<b>01493</b>	<b>01393</b>	<b>01293</b>	<b>01593</b>
	-	-	-	-	-	-	-	-	-	-
<b>Natural oak</b>	<b>08194</b>	<b>08494</b>	<b>08394</b>	<b>08294</b>	<b>08594</b>	<b>01194</b>	<b>01494</b>	<b>01394</b>	<b>01294</b>	<b>01594</b>
	-	-	-	-	-	-	-	-	-	-
<b>Walnut</b>	<b>08191</b>	<b>08491</b>	<b>08391</b>	<b>08291</b>	<b>08591</b>	<b>01191</b>	<b>01491</b>	<b>01391</b>	<b>01291</b>	<b>01591</b>
	-	-	-	-	-	-	-	-	-	-

# COFFEE TABLES

## CT 110

The **CT 110** coffee table stands on a base plate made of stainless steel and a wooden plinth. The column is made of metal, anthracite powder-coated, while the top is in black, white or sand rear-lacquered glass or stained glass. Three tables can also be adjusted in height using a manual device fitted under the glass top.

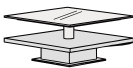


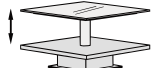


The **CT 110** is available in sizes of 70 x 70 cm, 90 x 90 cm and 120 x 70 cm.



### List of versions

Model no.	Versions
<b>NEW</b> 894	White lacquer
947	Sand lacquer
895	Natural oak
896	Oak anthracite
870	Light brown ash
897	Cherrywood gold
871	Core walnut

### Coffee tables CT 110

<p><b>35.0 cm high</b></p> <p>Base plate made of stainless steel; plinth and lower shelf veneer or lacquer; column of metal, anthracite powder-coated</p> <p>Glass top optionally in rear-lacquered glass, black, white or sand, or in stained glass</p>	 70 x 70 cm				 90 x 90 cm				 120 x 70 cm			
	Top glass shelf: white rear-lacquered	Top glass shelf: black rear-lacquered	Top glass shelf: sand rear-lacquered <b>NEW</b>	Top glass shelf: stained	Top glass shelf: white rear-lacquered	Top glass shelf: black rear-lacquered	Top glass shelf: sand rear-lacquered <b>NEW</b>	Top glass shelf: stained	Top glass shelf: white rear-lacquered	Top glass shelf: black rear-lacquered	Top glass shelf: sand rear-lacquered <b>NEW</b>	Top glass shelf: stained
	07111	07211	07411	07311	09111	09211	09411	09311	02111	02211	02411	02311
	-	-	-	-	-	-	-	-	-	-	-	-
<p><b>adjustable in height to any setting from 40-55 cm</b> using handswitch below glass top</p> <p>Base plate made of stainless steel; plinth and lower shelf veneer or lacquer; column of metal, anthracite powder-coated</p> <p>Glass top optionally in rear-lacquered glass, black, white or sand, or in stained glass</p>	 70 x 70 cm				 90 x 90 cm				 120 x 70 cm			
	Top glass shelf: white rear-lacquered	Top glass shelf: black rear-lacquered	Top glass shelf: sand rear-lacquered <b>NEW</b>	Top glass shelf: stained	Top glass shelf: white rear-lacquered	Top glass shelf: black rear-lacquered	Top glass shelf: sand rear-lacquered <b>NEW</b>	Top glass shelf: stained	Top glass shelf: white rear-lacquered	Top glass shelf: black rear-lacquered	Top glass shelf: sand rear-lacquered <b>NEW</b>	Top glass shelf: stained
	07121	07221	07421	07321	09121	09221	09421	09321	02121	02221	02421	02321
	-	-	-	-	-	-	-	-	-	-	-	-

## CT 120

The **CT 120** coffee table stands on a wooden substructure and is available in sizes of 70 x 70 cm and 90 x 90 cm. The top angled glass surface is made of bronzed glass, while the lower surface and the optional drawer are in veneer.



### List of versions

Model no.	Versions	Price group
920 921	Structured beech Natural oak	I II

### Coffee tables CT 120

#### Coffee tables CT 120

42.0 cm high

Optional with one drawer (veneer)

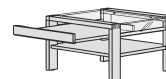
Top angled glass surface of bronzed glass

Lower surface, of wood (veneer)

On wooden substructure



70x70 cm wide



70x70 cm wide

without drawer

with 1 drawer

Price gr.

I

II

77

771

-

-

-

-



90x90 cm wide



90x90 cm wide

without drawer

with 1 drawer

Price gr.

I

II

99

991

-

-

-

-

## CT 130

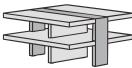
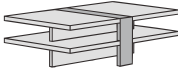
The **CT 130** coffee table in sizes of 70 x 70 cm and 120 x 70 cm stands on a cross-shaped substructure. This comes in a standard white lacquer version, just like the bottom shelf. The top shelf matches the chosen surface version, whilst the centre surrounding fillet is only available in structured beech or walnut.



### List of versions

Model no.	Versions
<b>820</b>	White lacquer
<b>821</b>	Structured beech
<b>822</b>	Walnut

### Coffee tables CT 130

<p><b>36.0 cm high</b></p> <p>Top shelf in matching version</p> <p>Centre, surrounding fillet in structured beech or walnut</p> <p>Cross-shaped substructure and bottom shelf in standard white lacquer</p>	 70 x 70 cm		 120 x 70 cm	
	Middle fillet in structured beech	Middle fillet in walnut	Middle fillet in structured beech	Middle fillet in walnut
	<b>1371</b>	<b>1378</b>	<b>13121</b>	<b>13128</b>
	-	-	-	-

# COFFEE TABLES

## CT 140

The **CT 140** coffee table in sizes of 100 x 100 cm and 120 x 80 cm stands on a baseboard of light brown ash or core walnut while the top surface is lacquered in white or brown-black. This top surface can be pushed to the side to reveal a storage compartment - with optional inside lamp. Two tables can also be adjusted in height using a manual device fitted under the top shelf.



### List of versions

Model no.	Top surface	Bottom shelf
<b>880</b>	White lacquer	Light brown ash
<b>881</b>	Brown-black lacquer	Light brown ash
<b>882</b>	White lacquer	Core walnut
<b>883</b>	Brown-black lacquer	Core walnut

### Coffee tables CT 140

<p><b>Coffee tables CT 140</b> 41.0 cm high</p> <p>Top surface in white lacquer or brown-black lacquer, lower surface in light brown ash or core walnut</p> <p>incl. storage compartment, genuine leather cover, below top surface (top surface can be pushed 33.0 cm to the side); storage compartment with optional inside lamp (7.5 V, 1.0 W with accompanying standard batteries AAA 1.5 V - rechargeable batteries not possible); with automatic switch.</p>	<p>Usable size of storage compartment: Height: 4.1 cm Width: 90.0 cm Depth: 34.2 cm</p> <p>top surface: 100 x 100 cm lower surface: 90 x 90 cm</p>		<p>Usable size of storage compartment: Height: 4.1 cm Width: 70.0 cm Depth: 34.2 cm</p> <p>top surface: 120 x 80 cm lower surface: 110 x 70 cm</p>	
	without lamp	with lamp	without lamp	with lamp
	<b>0115</b>	<b>0114</b>	<b>0215</b>	<b>0214</b>
	-	-	-	-
<p><b>adjustable in height to any setting from 46.0-61.0 cm</b> using handswitch below top shelf</p> <p>See above for further description of coffee table CT 140!</p>	<p>height adjustable</p> <p>Usable size of storage compartment: Height: 4.1 cm Width: 90.0 cm Depth: 34.2 cm</p> <p>top surface: 100 x 100 cm lower surface: 90 x 90 cm</p>		<p>height adjustable</p> <p>Usable size of storage compartment: Height: 4.1 cm Width: 70.0 cm Depth: 34.2 cm</p> <p>top surface: 120 x 80 cm lower surface: 110 x 70 cm</p>	
	without lamp	with lamp	without lamp	with lamp
	<b>0125</b>	<b>0124</b>	<b>0225</b>	<b>0224</b>
	-	-	-	-

